

MULTIFUNCTION WORK VEHICLE

- FAW JIEFANG -



CODE
JNJQDGNCA

Cooperation

Win-Win

Innovation

Development

More models

MOBILE TRUCK CRANE // HOMEMADE TRUCK CRANE // TRUCK MOUNTED CRANE // MULTIFUNCTION WORK VEHICLE // AERIAL WORK VEHICLE

Product details



Cab

Multi-function steering wheel, original PTO, air conditioning + electric doors and windows + central locking, electric heated rearview mirrors.
Air brake, cruise control, complete interiors.



Lifting Boom

Lifting, aerial working platform, truck.
Function 3 in 1.



Operating Station

Remote control within 200m



Outrigger

The heavy frame can be extended and retracted. thicker legs and heavy-duty configuration are optional. The rear frame can be extended and retracted.

JQCM

REMOTE-CONTROLLED 360° ROTARY SELF-LEVELING FOLDABLE WORKING PLATFORM

OPERATION CONTROL STATION

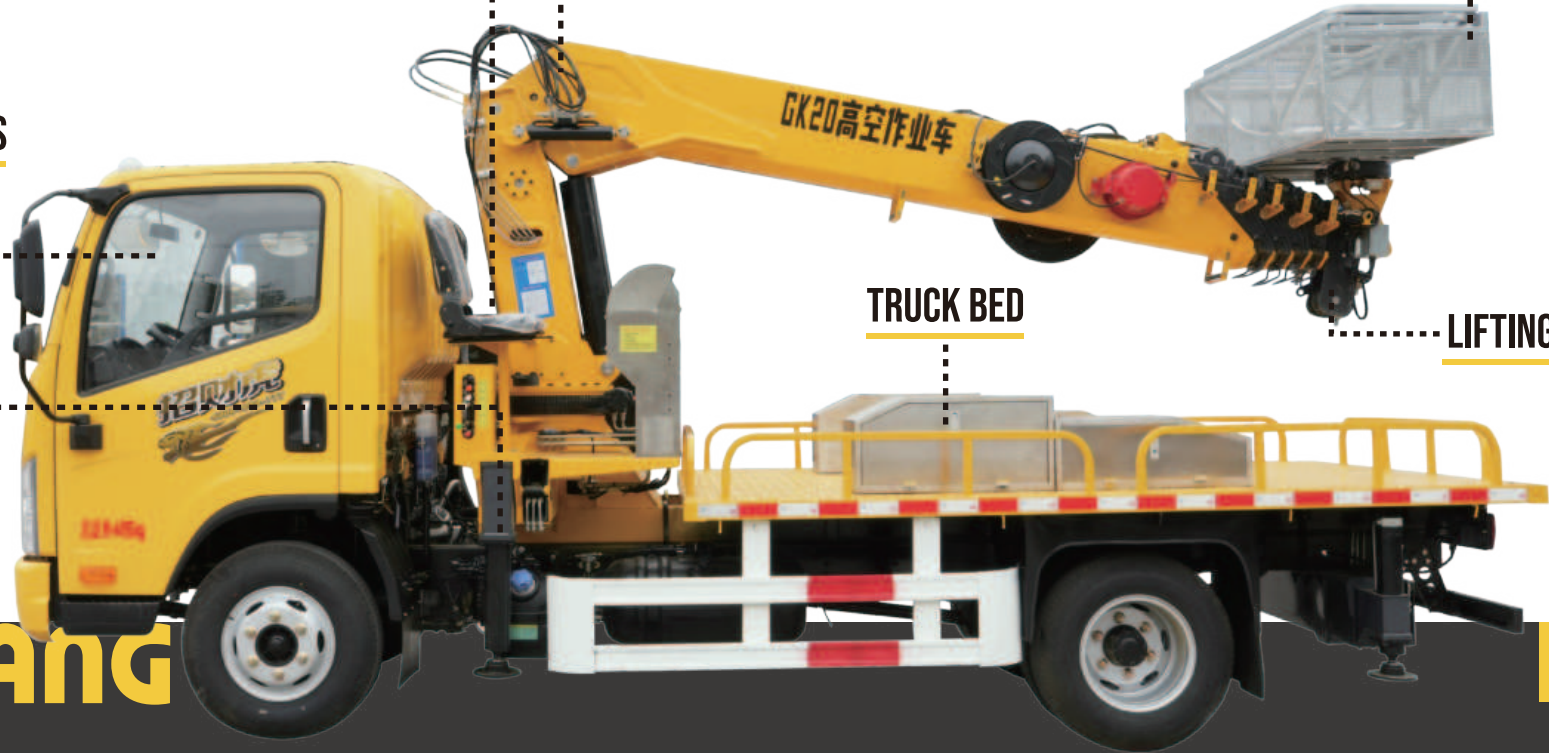
360° ROTARY CRANE

FAW JIEFANG CHASSIS

TRUCK BED

LIFTING HOOK

UNILATERAL 2M X 1SECTION
OUTRIGGER



JAW JIEFANG

FRONT

LEFT

RIGHT

BACK



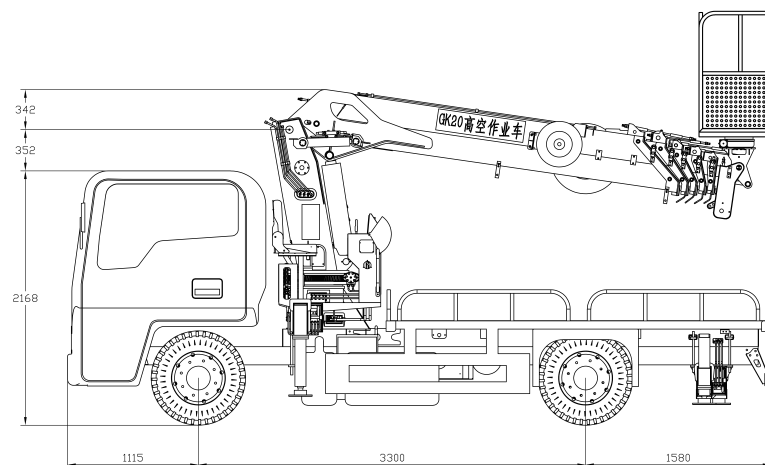
TECHNICAL DATA

CHASSIS

* FAW Jiefang Hydraulic Multifunction Work Vehicle *	
Chassis model	Faw Jiefang
Overall dimensions	5995*2200*2900mm
Wheelbase	3300mm
Max. weight (full load)	4495kg
Truck mounted crane weight	4300kg
Max. driving speed	95km/h
Engine power	Yunnei (140hp)
Gearbox model	Wanliyang 5/8-speed gearbox
Tyre	700R16LT 8PR
Front/Rear suspension	1115/1580mm
Approch/Departure angle	20°/15°
Pump	Single pump
Rear axle	130DH press-welding axle
Fuel tank capacity	70L

UPPER

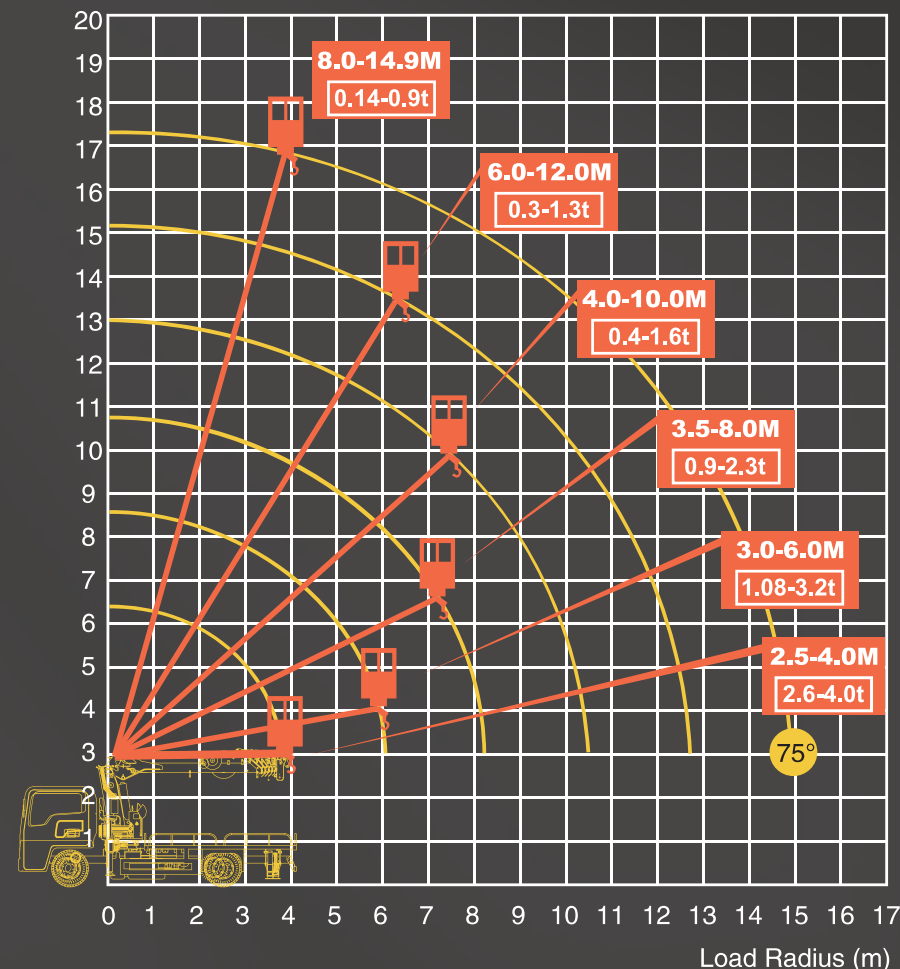
Max. operating height	20m
Max. operating range	14m
Max. lifting weight	5000kg
Truck bed dimensions	3500*2200mm
AWP dimensions	1500*700*1100mm
AWP rotating angle	±180°
AWP rated capacity	200kg
Boom	2.2m * 6 sections (Inner rope)
Boom slewing angle	360°
Main winch device	5 ton winch
Slewing device	360°
Operating system	Electronic control, with wireless remote control
Hydraulic system	Stepless speed regulation with emergency power
Operating mode	Middle operation



RATED LIFTING CAPACITY & WORKING RANGE

RATED LIFTING CAPACITY (Unit: ton)	Multifunction Work Vehicle					
	3.9m	6.1m	8.3m	10.5m	12.7m	14.9m
Working radius (m)						
2.5	4.0					
3.0	3.521	3.2				
3.5	3.043	2.492	2.3			
4.0	2.564	1.784	1.83	1.6		
6.0		1.076	1.36	1.207	1.3	
8.0			0.89	0.813	0.953	0.93
10				0.42	0.607	0.731
12					0.26	0.533
14						0.334
14.9						0.135

Lifting Height (m)





whatsapp

Jining Jiaqing Special Vehicle (Group) Co., Ltd.

Add: No. 631, Jiliang Road, Changgou Town, Rencheng district, Jining City, Shandong Province

Tell: +86 185 6172 8600

Web: www.jiningjiaqing.com

