

10 TON MOBILE TRUCK CRANE · FOTON ·



FOTON
SPECIFICATION

CODE

JNJQCCD10A

Cooperation

Win-Win

Innovation

Development

More models

MOBILE TRUCK CRANE // HOMEMADE TRUCK CRANE // TRUCK MOUNTED CRANE // MULTIFUNCTION WORK VEHICLE // AERIAL WORK VEHICLE

JNJQQCD10A

Product details



Cab

Multi-function steering wheel, original PTO, air conditioning + electric doors and windows + central locking, electric heated rearview mirrors.

Air brake, cruise control, complete interiors.



Lifting Boom

Customizable 6m x 6 sections. Single hook single winch, double hook double winch.



Operator Room

High safety, wide field of vision, easy to operate, ergonomically designed control system in crane cab. Strong environmental adaptability and additional equipment are optional.



Outrigger

Standard rear outriggers, thickened and double-section outriggers.

JQCM

10 TON FOTON CHASSIS

HYDRAULIC TELESCOPIC STRAIGHT BOOM

Optional Boom: 7m-35m, 5 sections
6m-36m, 6 sections

OPERATION CONTROL ROOM

REAR TELESCOPIC OUTRIGGER

UNILATERAL 1M X 2SECTION OUTRIGGER

JACK OUTRIGGER JOYSTICK

FOTON

FRONT

LEFT

RIGHT

BACK



JQCM

TECHNICAL DATA

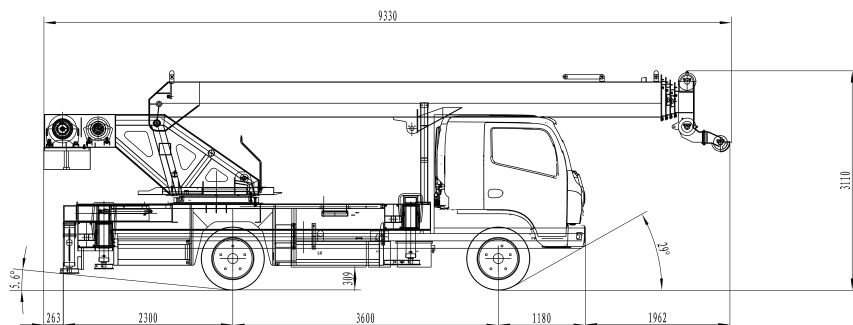
GENERAL DIMENSIONS

10 Ton Foton Hydraulic Mobile Truck Crane

| | |
|------------------|------------------|
| Full car size | 9330*2200*3110mm |
| Wheelbase | 3600mm |
| Large frame size | 350mm*150mm |

MAIN PARAMETERS

| | |
|----------------|--------------------------------|
| Engine model | Yunnei engine |
| Engine power | 110kw(150horsepower) |
| Gearbox model | Wanliyang 5-speed transmission |
| Tires | 825-R16 |
| Braking system | Air brake (ABS) |



TECHNICAL PARAMETERS

| | |
|---------------------------|------------------------------|
| Rated lifting weight | 10000kg |
| Maximum lifting height | 31m |
| Main lifting mechanism | 10 ton winch |
| Sub-lifting mechanism | 7 ton/10 ton winch |
| Lifting operation mode | Push lever operation |
| Radius of rotation | 2.4m |
| Slewing bearing | 1.2m turntable |
| Rear displacement top | Standard |
| Oil and electric dual-use | 15kw-6pole copper core motor |
| Protection device | Bidirectional hydraulic lock |
| Work lamp | Two |

Boom

| | |
|--------------------------|---------------------------|
| Boom structure type | 7m*5sections/6m*6sections |
| Total length of boom | 35m/36m |
| Boom flat lying distance | 18m(1 ton) |
| Rod-out form | Synchronous scaling |

Hydraulic system

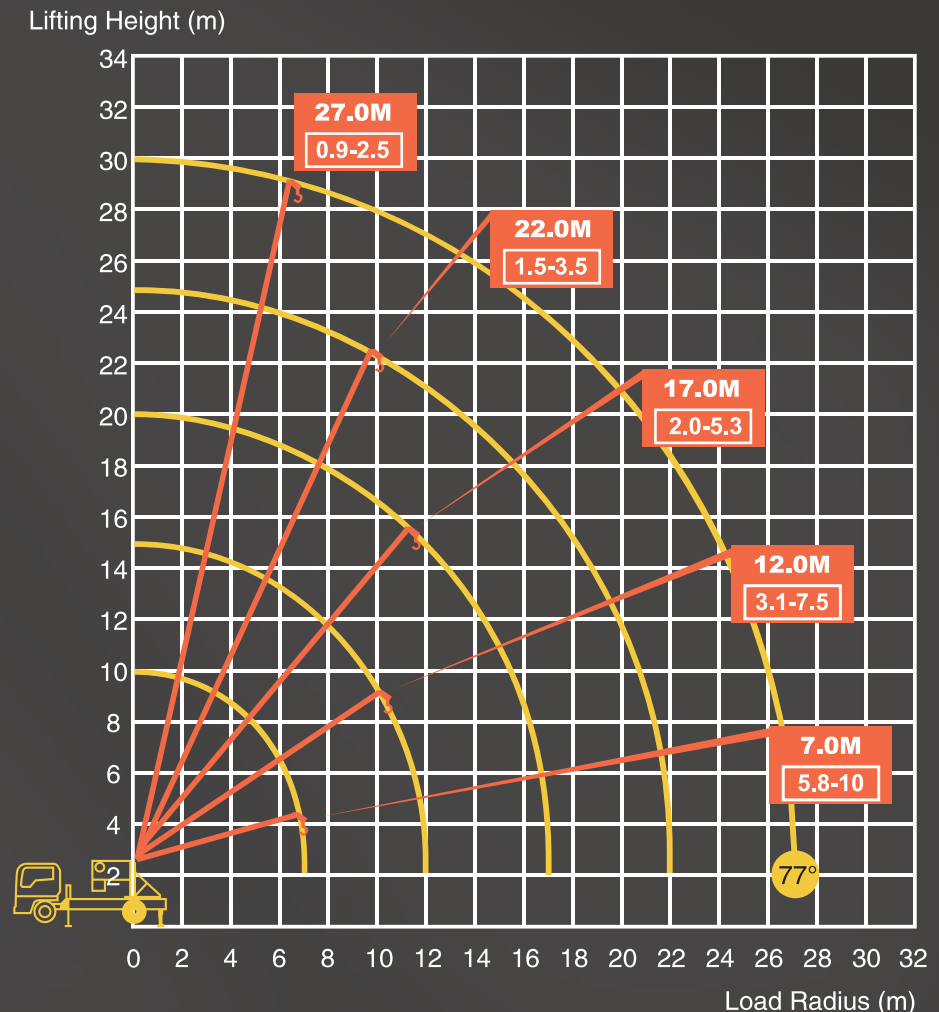
| | |
|--------------------|------------------------------|
| Hydraulic pump | Double pump |
| Steering mechanism | Hydraulic direction assist |
| Slewing mechanism | Secondary planetary steering |

Outrigger

| | |
|-----------------------------|-----------------------|
| Outrigger | 5 full hydraulic legs |
| Outrigger transverse span | 6200mm |
| Outrigger longitudinal span | 4500mm |
| Outrigger telescopic length | 2m |

RATED LIFTING CAPACITY & WORKING RANGE

| RATED LIFTING CAP- ACITY (Unit: ton) Working radius (m) | RATED LIFTING CAPACITY WEIGHT | | | | |
|---|--|--------------|--------------|--------------|--------------|
| | 7.0m 1 Boom | 12.0m 2 Boom | 17.0m 3 Boom | 22.0m 4 Boom | 27.0m 5 Boom |
| 3.5 | *10 | | | | |
| 4.0 | *8.75 | | | | |
| 4.5 | *7.8 | *7.5 | | | |
| 5.0 | *7.0 | *6.7 | | | |
| 6.0 | *5.8 | *5.5 | *5.3 | | |
| 7.0 | | *4.8 | *4.6 | | |
| 8.0 | | 3.9 | 3.7 | 3.5 | |
| 9.0 | | 3.5 | 3.3 | 3.1 | |
| 10.0 | | 3.1 | 2.9 | 2.7 | 2.5 |
| 12.0 | | | 2.4 | 2.2 | 2.0 |
| 14.0 | | | 2.0 | 1.8 | 1.6 |
| 15.0 | | | | 1.6 | 1.4 |
| 16.0 | | | | 1.5 | 1.3 |
| 17.0 | | | | | 1.0 |
| 18.0 | | | | | 0.9 |
| Factor | (*) is a factor of 6 ; the rest is a factor of 4. | | | | |
| Notes: | 1. The rated lifting capacity includes the weight of the hook (50kg) and the sling, and the outriggers must be supported on flat and solid ground. 2. The lifting capacity is determined by the actual load radius. 3. When the boom length is between any two boom lengths shown in the diagram, the longer one should be used for lifting. 4. When the boom length exceeds 6m, the outriggers must be fully extended. 5. This diagram does not include the deflection of the Boom and Fly jib. | | | | |





whatsapp

Jining Jiaqing Special Vehicle (Group) Co., Ltd.

Add: No. 631, Jiliang Road, Changgou Town, Rengcheng district, Jining City, Shandong Province

Tell: +86 185 6172 8600

Web: www.jiningjiaqing.com

