

# 14 TON TRUCK MOUNTED CRANE · DONGFENG ·



DONGFENG  
SPECIFICATION

CODE JNJQSCD14A

**Cooperation**

**Win-Win**

**Innovation**

**Development**

**More models**

JNJQSCD8A

## Product details

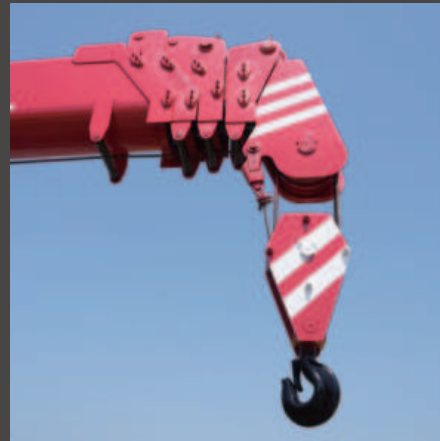
---



### Cab

Multi-function steering wheel, original PTO, air conditioning + electric doors and windows + central locking, electric heated rearview mirrors.

Air brake, cruise control, complete interiors.



### Lifting Boom

By wireless over-hoisting prevention device, it can prevent damage and breakdown of wire and real



### Operation Station

Optimally & ergonomically designed top seat console guarantees all day comfort to operator



### Outrigger

180° slewing type of main jack outriggers help protect against damage during the drive.

# JQCM

14 TON DONGFENG  
CHASSIS

OPERATION  
CONTROL STATION

360° ROTARY CRANE

HYDRAULIC TELESCOPIC STRAIGHT BOOM

THICKENED WEAR-RESISTANT TIRES

TRUCK BED

UNILATERAL  
2M X 1SECTION  
OUTRIGGER



# 14TON

3.2TON

6.3TON

8TON

12TON



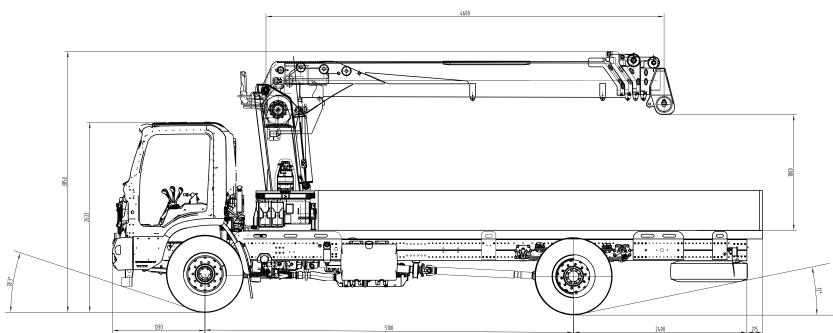


# JQCM

## TECHNICAL DATA

### MAIN PARAMETERS

*14 Ton Dongfeng Hydraulic Truck Mounted Crane*	
Overall dimensions	12000*2500*3950mm
Truck bed dimensions	8500*2400*550mm
Wheelbase	5865+1350mm
Max. weight (full load)	25000kg
Truck mounted crane weight	16230kg
Rated truck loading capacity	8575kg



### CHASSIS

Chassis model	Dongfeng
Gearbox model	Fast 8-speed transmission
Engine Brand	Yuchai
Engine power	270hp/199kw
Axle load	7000kg/18000kg
Max. speed	90km/h
Cooling system	Air conditioner
Tyre	1000R20-18PR
Chassis frame thickness	284mm (3-layers)

### LIFTING & SLEWING SYSTEM

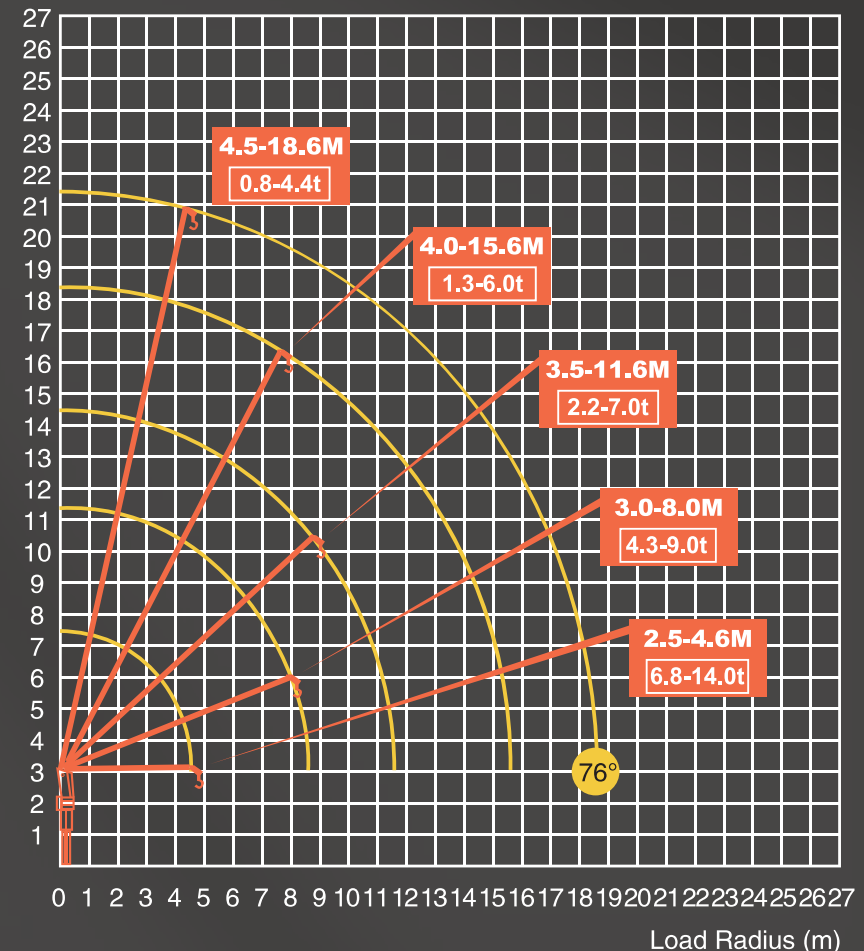
Max. lifting weight	14000kg
Max. lifting height	21.8m
Max. elevation angle	0-75°
Boom	5m x 5 sections (U-shape, 5.6m-18.8m)
Max. lifting torque	30000kg*m
Hydraulic outrigger	Automatic (2-section)
Boom extension	Return rope
Boom extension method	By double cylinders
Slewing angle	360°

## JNJQSCD14A

# RATED LIFTING CAPACITY & WORKING RANGE

RATED LIFTING CAPACITY (Unit: ton) Working radius (m)	RATED LIFTING CAPACITY WEIGHT				
	1 Boom	2 Boom	3 Boom	4 Boom	5 Boom
2.5	*14				
3.0	*11	*9.0			
3.5	*9.0	8.3	7.0		
4.0	8.0	8.0	6.4	6.0	
4.5	6.8 ( 4.6 )	7.4	6.0	5.4	4.4
5.0		6.6	5.2	5.0	3.7
6.0		6.2	4.4	4.0	3.2
7.0		5.0	3.5	3.2	2.9
8.0		4.3 ( 8.6 )	3.0	3.0	2.6
9.0			2.8	2.8	2.2
11.0			2.2 ( 11.6 )	2.0	2.8
13.0				1.7	1.5
15.0				1.3 ( 15.6 )	1.3
17.0					1.1
18.6					0.8 ( 18.6 )
Factor	(*) is a factor of 6 ; the rest is a factor of 4.				
<b>Notes:</b> <ol style="list-style-type: none"> <li>The rated lifting capacity includes the weight of the hook (110kg) and the sling, and the outriggers must be supported on flat and solid ground.</li> <li>The lifting capacity is determined by the actual load radius.</li> <li>When the boom length is between any two boom lengths shown in the diagram, the longer one should be used for lifting.</li> <li>When the boom length exceeds 6m, the outriggers must be fully extended.</li> <li>This diagram does not include the deflection of the Boom and Fly jib.</li> </ol>					

Lifting Height (m)





whatsapp

Jining Jiaqing Special Vehicle (Group) Co., Ltd.

Add: No. 631, Jiliang Road, Changgou Town, Rengcheng district, Jining City, Shandong Province

Tell: +86 185 6172 8600

Web: [www.jiningjiaqing.com](http://www.jiningjiaqing.com)

