

6.3 TON TRUCK MOUNTED CRANE · FOTON ·



FOTON
SPECIFICATION

CODE

JNJQSCD6.3A

Cooperation

Win-Win

Innovation

Development

More models

JNJQSCD8A

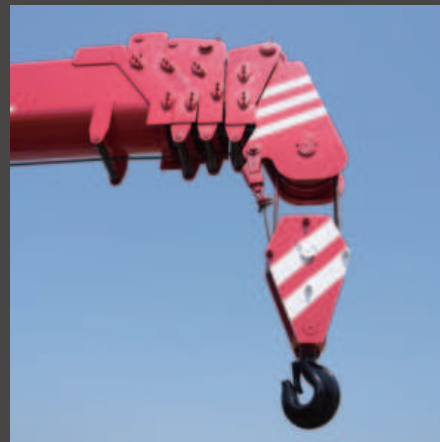
Product details



Cab

Multi-function steering wheel, original PTO, air conditioning + electric doors and windows + central locking, electric heated rearview mirrors.

Air brake, cruise control, complete interiors.



Lifting Boom

By wireless over-hoisting prevention device, it can prevent damage and breakdown of wire and real



Operation Station

Optimally & ergonomically designed top seat console guarantees all day comfort to operator



Outrigger

180° slewing type of main jack outriggers help protect against damage during the drive.

JQCM

6.3 TON FOTON CHASSIS

OPERATION CONTROL STATION

360° ROTARY CRANE

HYDRAULIC TELESCOPIC STRAIGHT BOOM

TRUCK BED

THICKENED WEAR-RESISTANT TIRES

UNILATERAL 2M X 1SECTION OUTRIGGER

6.3 TON

3.2 TON

8 TON

12 TON

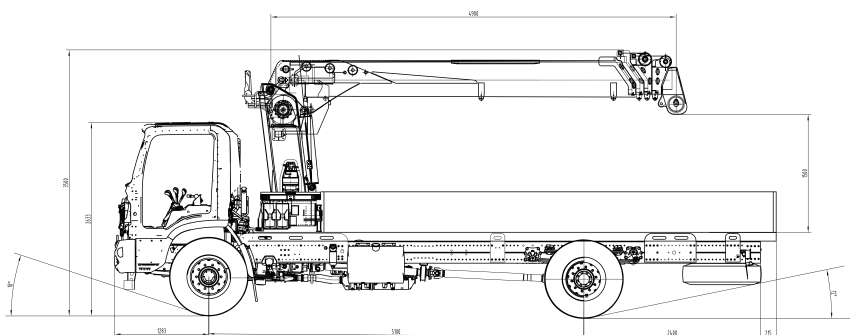
16 TON



TECHNICAL DATA

MAIN PARAMETERS

6.3 Ton Foton Hydraulic Truck Mounted Crane	
Overall dimensions	8235*2550*3700mm
Truck bed dimensions	5150*2400*550mm
Wheelbase	4500mm
Max. weight (full load)	16000kg
Truck mounted crane weight	6800kg
Rated truck loading capacity	7205kg



CHASSIS

Chassis Brand	Foton
Gearbox model	Fast 8-speed transmission
Engine Brand	Weichai
Engine power	190hp/140kw
Steering	Power steering available
Axle load	4500/10000kg
Max. speed	90km/h
Cooling system	Air conditioner
Accelerator	Remote controlled
Chassis frame thickness	284mm (3-layers)

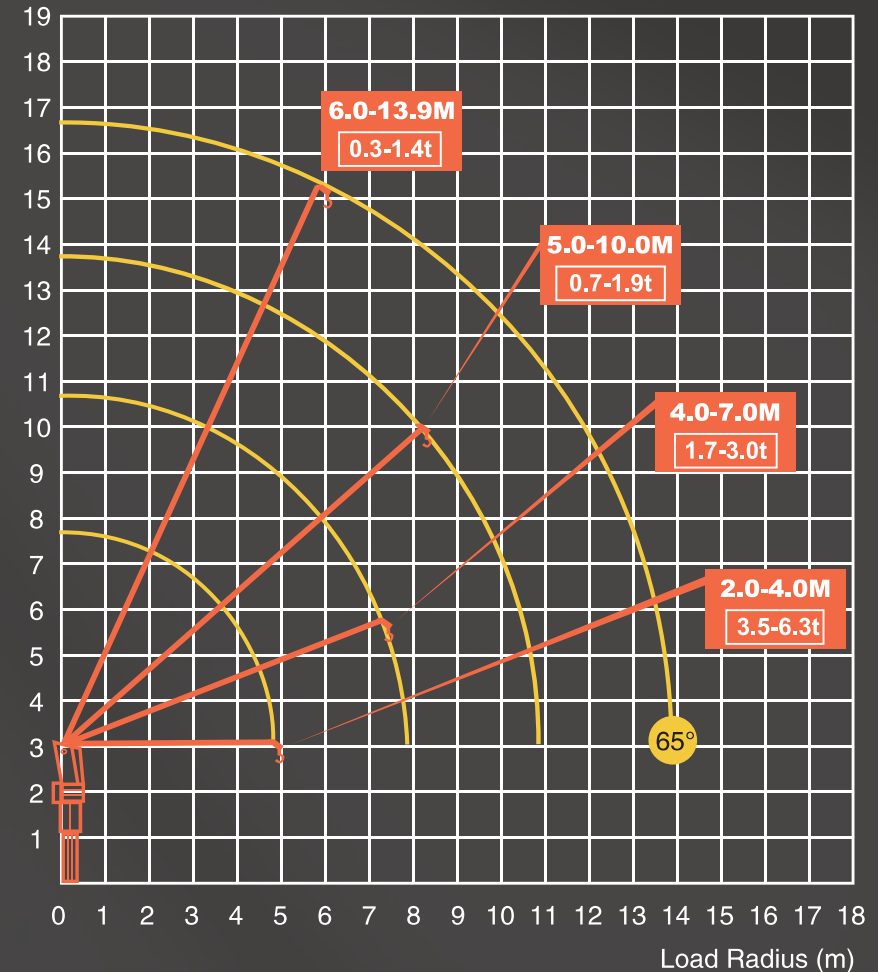
LIFTING & SLEWING SYSTEM

Max. lifting height	14.6m
Max. elevation angle	0-80°
Boom	3.8m x 4 sections (3.98-12.9m)
Boom extension	Return rope
Max. lifting torque	15750kg*m
Hydraulic outrigger	Automatic (rear outrigger optional)
Outrigger span	5.3m
Slewing angle	360°
Slewing speed	2.5r/min

RATED LIFTING CAPACITY & WORKING RANGE

Working radius (m)	BOOM LENGTH			
	4.9m	7.9m	10.9m	13.9m
	lifting weight(ton)			
2.0	*6.3			
2.5	*6.2			
3.0	*5.2			
3.5	*4.1			
4.0	*3.5	3.0		
4.5		2.7		
5.0		2.5	1.9	
5.5		2.2	1.7	
6.0		2.0	1.5	1.4
6.5		1.8	1.4	1.3
7.0		1.7	1.3	1.2
7.5			1.2	1.1
8.0			1.1	1.0
8.5			1.0	0.9
9.0			0.9	0.8
9.5			0.8	0.7
10.0			0.7	0.6
11.0				0.5
12.0				0.4
13.9				0.3

Lifting Height (m)





whatsapp

Jining Jiaqing Special Vehicle (Group) Co., Ltd.

Add: No. 631, Jiliang Road, Changgou Town, Rencheng district, Jining City, Shandong Province

Tell: +86 185 6172 8600

Web: www.jiningjiaqing.com

