

# AERIAL WORK VEHICLE

- 30M -



30M  
SPECIFICATION

CODE

JNJQGKZYC30

**Cooperation**

**Win-Win**

**Innovation**

**Development**

**More models**

JNJQGKZYC30

## Product details

---



### Cab

Multi-function steering wheel, original PTO, air conditioning + electric doors and windows + central locking, electric heated rearview mirrors.

Air brake, cruise control, complete interiors.



### Working Platform

Remote-controlled 360° rotary self-leveling foldable working platform.



### Operating Station

Optimally & ergonomically designed top seat console guarantees all day comfort to operator.



### Outrigger

The heavy frame can be extended and retracted. thicker legs and heavy-duty configuration are optional. The rear frame can be extended and retracted.



# JQCM

THICK LIFTING BOOM

LEVELLING CYLINDER

REMOTE-CONTROLLED 360° ROTARY  
SELF-LEVELING FOLDABLE PLATFORM

REDUCTION GEAR

ROTATING SUPPORT

30M CHASSIS

THICKENED  
WEAR-RESISTANT  
TIRES

UNILATERAL 1M X 2SECTION  
OUTRIGGER

**30m**

FRONT

LEFT

RIGHT

BACK



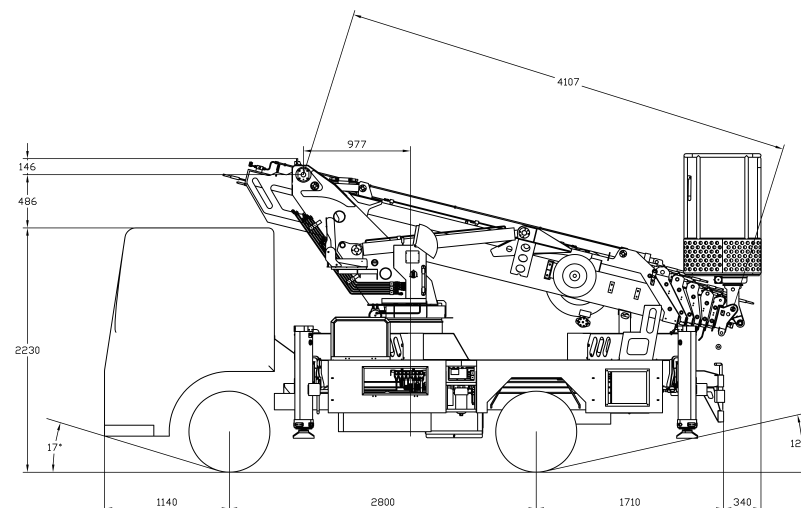
## TECHNICAL DATA

### CHASSIS

* 30M Hydraulic Aerial Work Vehicle *	
Chassis Brand	FAW Jiefang
Overall dimensions	5995*2000*2780mm
Wheelbase	2800mm
Weight	4495kg
Engine power	132hp/98kw
Min. ground clearance	200mm
Max. driving speed	95km/h
Outrigger Type	Front/rear X-shape, Individually adjustable
Outriggers horizontal span	5472mm
Outriggers longitudinal span	5620mm
Outrigger stretch time	Extension & Contraction≤100s
Front/Rear suspension	1155mm/1710mm
Approch/Departure angle	18°/14°
Cab	Single row seats, max. 2 people

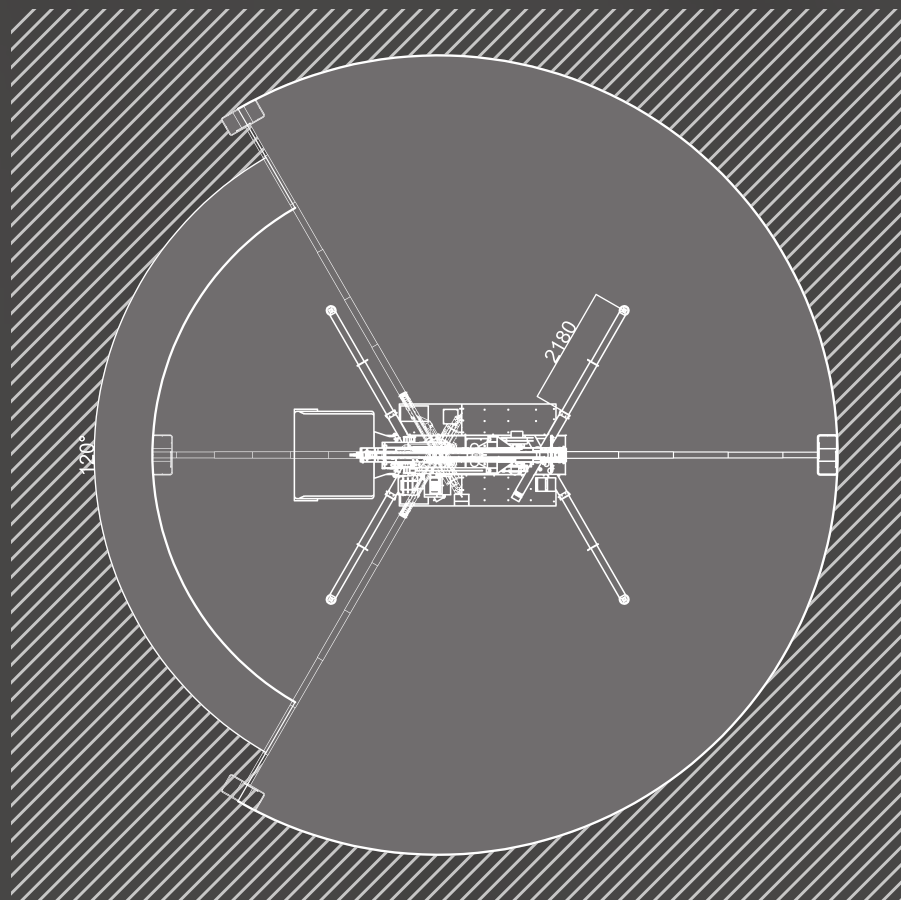
### AWP UPPER

Max. operating height	30m
Max. operating range	16m (200kg)
Aerial working platform capacity	200kg
Aerial working platform rotating angle	±90°
AWP dimensions/Capacity/Material	1600*700*1100mm/200kg/Aluminum Alloy
Boom stretch time	Extension ≤100s Contraction≤110s
Boom rotation speed	100≤t≤110(s/r)
Boom type	7-section synchronous telescopic boom
Slewing device	360° continuous rotation
PTO	Manual Operation
Control System	Stepless speed regulation electric-hydraulic system
Leveling system	Hydraulic leveling device
Operating	Outrigger & Lifting system Hydraulic handle operation Equipped with wireless remote control Equipped with emergency manual hydraulic pump Achieve full hydraulic manual emergency operation

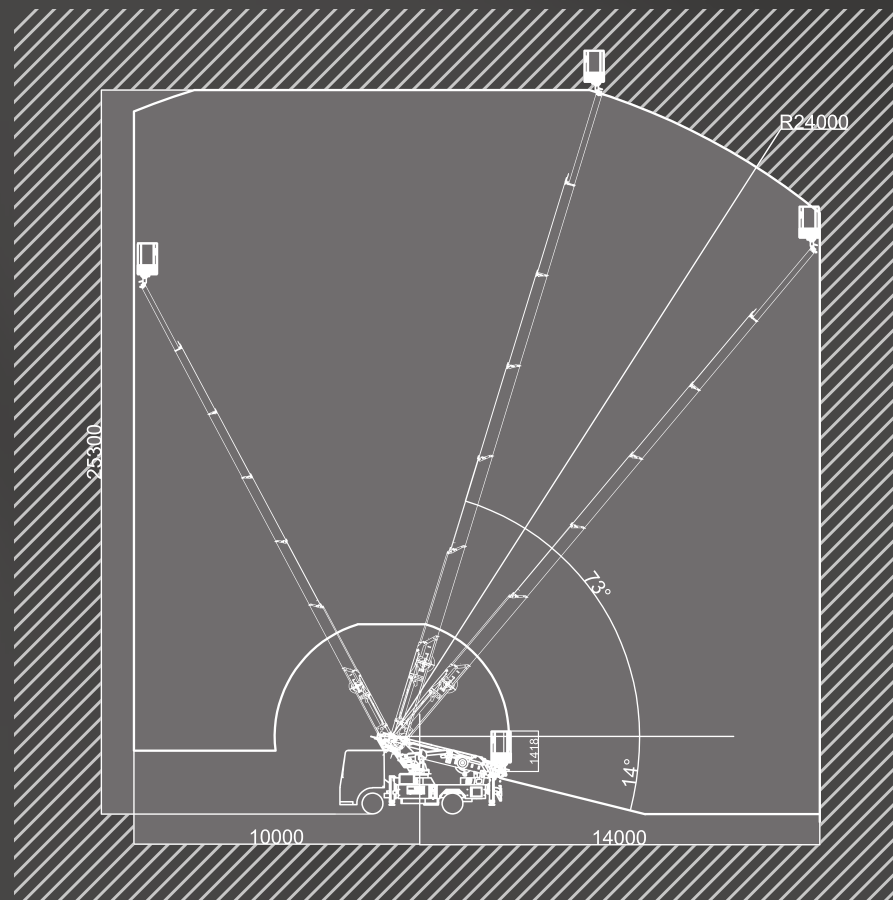


JNJQGKZYC30

## WORKING RANGE



THEORETICAL DATA



THEORETICAL DATA





whatsapp

Jining Jiaqing Special Vehicle (Group) Co., Ltd.

Add: No. 631, Jiliang Road, Changgou Town, Rengcheng district, Jining City, Shandong Province

Tell: +86 185 6172 8600

Web: [www.jiningjiaqing.com](http://www.jiningjiaqing.com)

